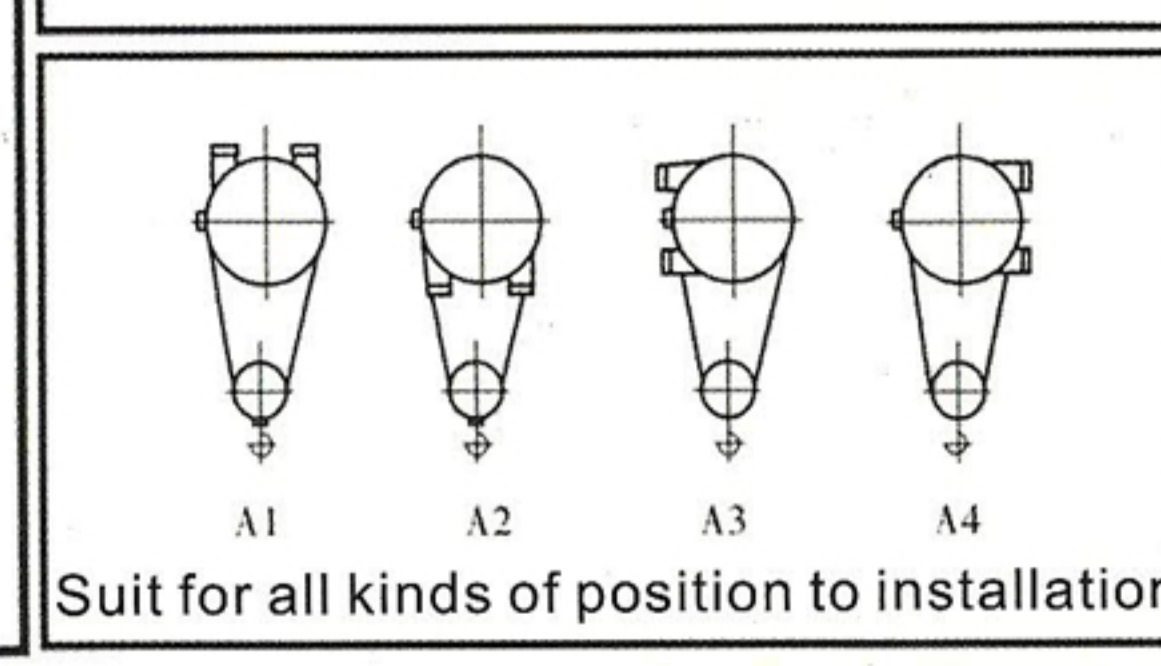
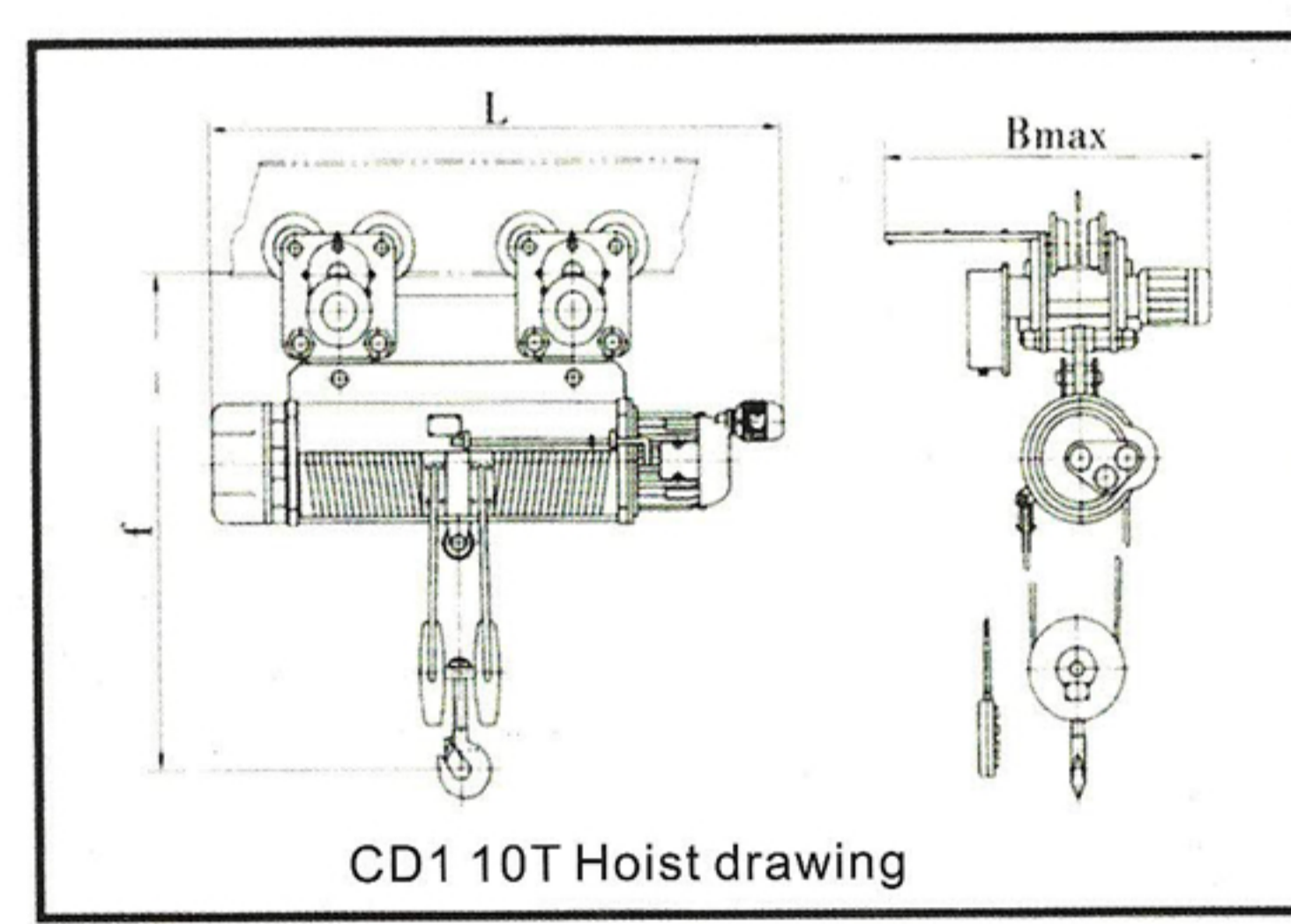
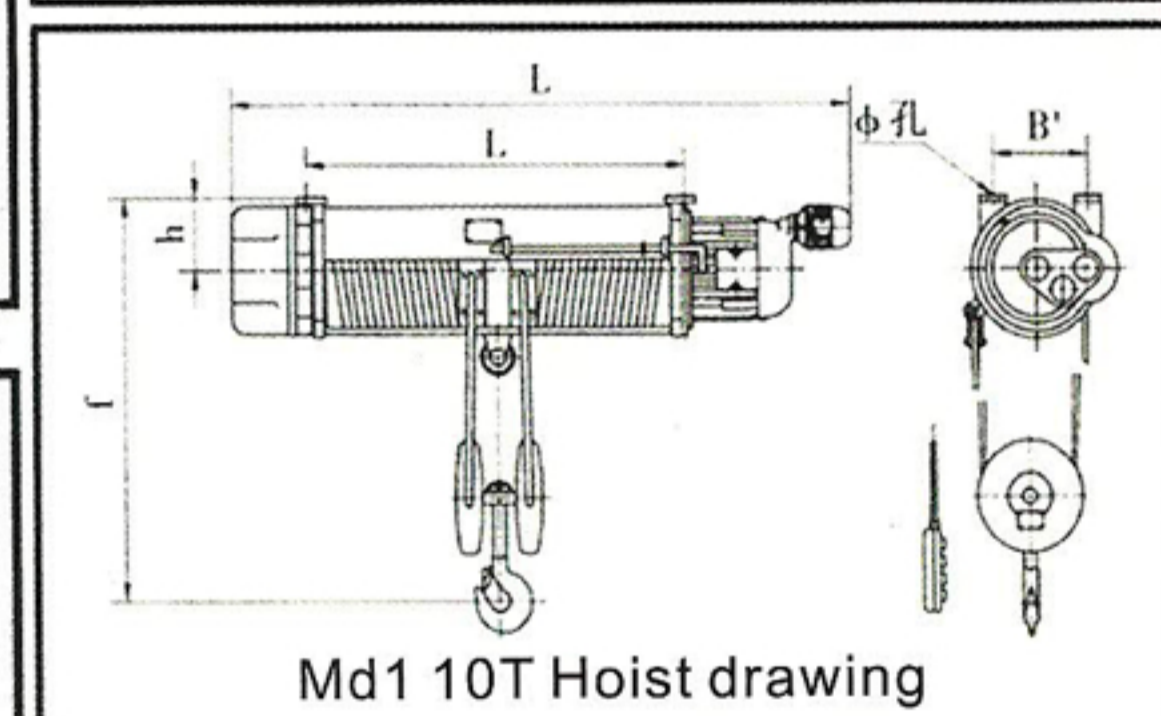
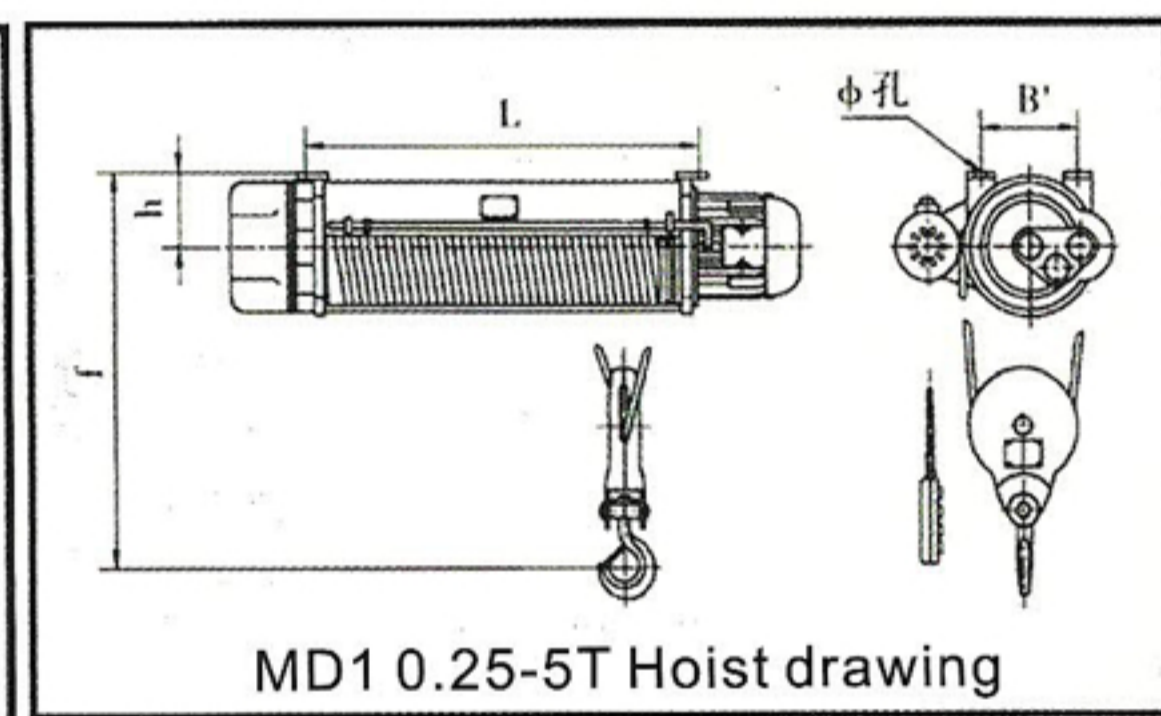
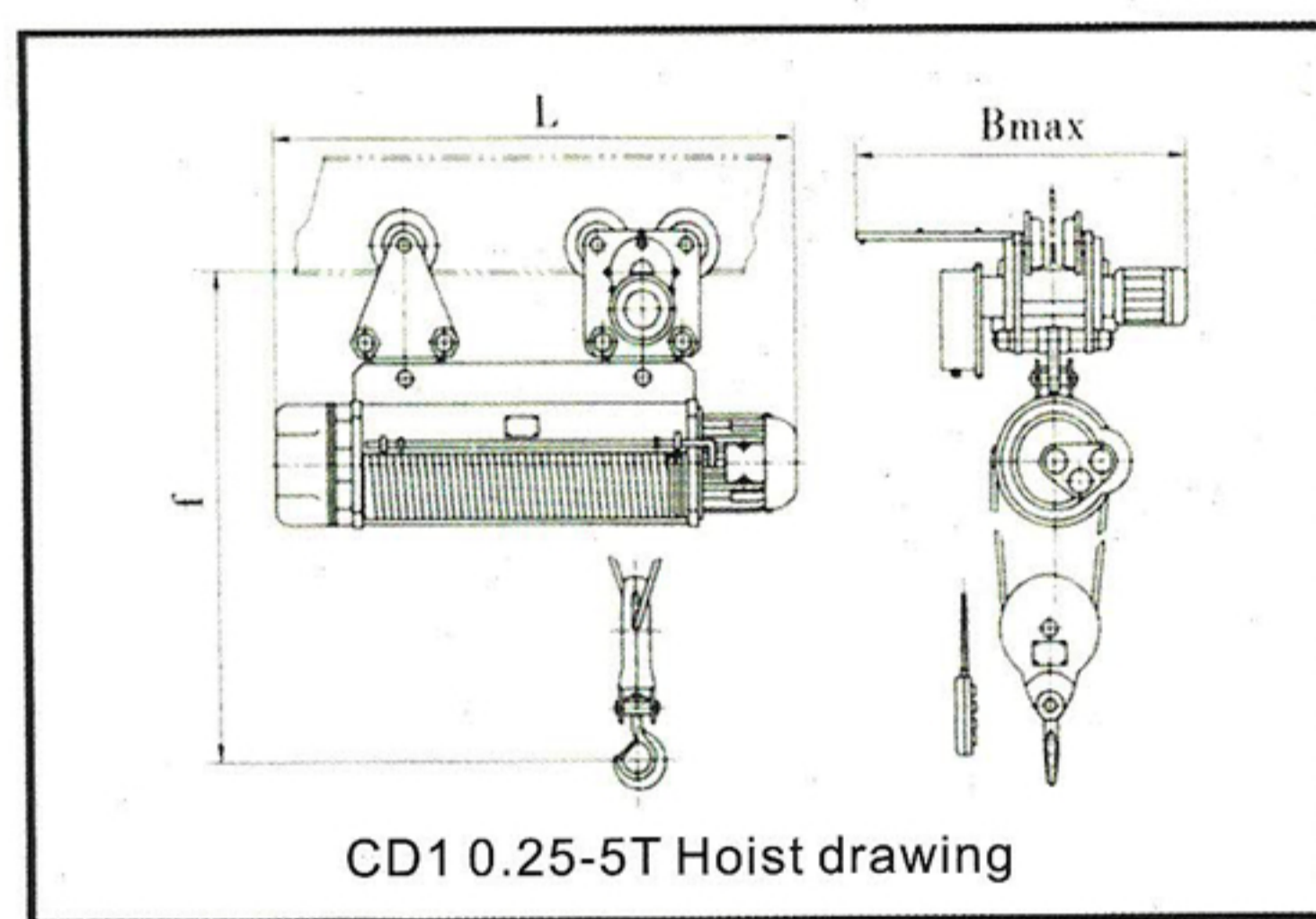


Electric hoist



CD(MD)TYPE WIRE ROPE HOIST

Model		CD10.25t-10t				(MD10.5t-10t)											
Capacity	t	0.25				0.5				1							
Lifting height	m	3	6	9	12	6	9	12	18	6	9	12	18	24	30	6	9
Lifting speed	m/min	8				8(8/0.8)				8(8/0.8)							
Running speed	m/min	20				20				20							
I-Beam track modle(GB706-88)		12-20b				16-28b				16-28b							
Min. Radius	m	1	1	1	1	1.5	2	1.5 2 2.5 3.5				1.8					
Motor power	kw	0.4				0.8(0.8/0.2)				1.5(1.5/0.2)							
Running motor power	kw	0.06				0.2				0.2							
L	mm	386	386	549	615	616	688	760	904	760	855	955	1150	1345	1540	820	920
L(MD1)	mm					626	698	770	914	770	865	965	1160	1355	1550	830	930
L'	mm	104	104	267	333	318	390	462	606	401	499	597	793	989	1185	418	518
f'	mm	386				490				645							
B'	mm	130				190				196							
Φ	mm	4-Φ11				4-Φ15				4-Φ19							
b	mm	90				120				127							
f	mm	421	432			550	650			719	810						
Bmax	mm	398	415			897				897							
Weight	kg	CD2 Two direction movement .Single speed				80	85	90	95	130	140	157	172	186	203	174	190
10%	kg	CD1 Four direction movement .Single speed				118	136	153	198	170	180	207	222	236	253	230	244
	kg	MD2 Two direction movement .Double speed				88	93	98	103	138	148	165	180	194	211	184	200
	kg	MD1 Four direction movement .Double speed				135	140	160	170	183	190	225	240	254	271	269	284



	2				3				5				10									
Lifting height	18	24	30		6	9	12	18	24	30	6	9	12	18	24	30	6	9	12	18	24	30
Lifting speed	8(8/0.8)				8(8/0.8)				8(8/0.8)				7(7/0.7)									
Running speed	20				20				20				20									
I-Beam track modle	20a-32c				20a-32c				25a-63c				25a-63c									
Min. Radius	2.5	3.5			1.8	2	3	4	1.8	2.5	3	4	2.5	3	3.5	4.5	6	7.2				
Motor power	0.4				0.4				0.8				2x0.8									
L	1220	1420	1620		930	1030	1136	1342	1548	1754	1052	1157	1262	1472	1682	1892	1501	1682	1863	2225	2587	2949
L(MD1)	1230	1430	1630		940	1040	1146	1352	1558	1764	1062	1167	1272	1482	1692	1902	2049	2230	2411	2773	3135	3497
L'	808	1018	1218		451	554	657	863	1069	1275	485	590	695	905	1115	1325	849	1030	1211	1573	1935	2297
B'	754				866						1014						1081					
b	240				264						320						376					
Φ	4-Φ23				4-Φ25				4-Φ32				4-Φ38									
f	155				175						203						255					
Bmax	56	956			961	1064					1177	1327					1350					
L	935				935						1067						1067					
Weight	208	232	260	284	234	250	276	310	344	374	392	410	431	476	505	545	764	820	874	1001	1090	1174
10%	299	315	337	357	308	330	392	408	434	472	494	517	601	648	691	735	1010	1066	1120	1232	1336	1440
	218	242	270	294	244	260	286	320	354	384	417	435	458	501	530	570	824	880	934	1061	1150	1234
	335	369	379	404	323	335	395	429	463	493	530	553	594	641	684	728	1070	1126	1180	1292	1396	1500